

UCW601TGM

60 cm, UNDERCOUNTER WINE CELLAR - GRAN MAESTRO IN-DOOR, Model BUILT-IN

Fhiaba



FEATURES

- Made in Italy.
- Aisi 304 stainless steel body.
- Stainless steel interior finish
- Antibacterial stainless steel interior.
- Optiview: multi - LED light array (top and side interior) provides brilliant illumination to the entire interior.
- Soft close door and drawers in all compartments
- TFT smart display full color
- Acoustic and visual signals
- Total no frost 100% automatic system
- Insulated variable speed compressors maintains precision temperature control with low vibration.
- Sabbath mode
- Front and rear adjustable feet up to 25 mm.
- One independent climatic zone.
- Wood sliding shelves with soft closing runner.
- Chill to serve: you can rapidly lower the temperature to 2°C before serving.
- Fully integrated / custom panel ready
- Bronzed glass door and Argon gas guarantee maximum protection from harmful UV light rays.
- Reversible door.
- Low vibration compressor
- Full range of models and configurations. Can easily be combined and configured with other Fhiaba fridge, freezer, wine cellar models to fit your kitchen needs.

GENERAL PROPERTIES

Reversible door	YES
Equilance	NO
SoftClosing Runner	YES
Low vibration	YES
Optiview (LED light spots)	YES
Shelves	5
Slide-out shelves	YES
Type of shelves	WOOD
Door Bins	
Fridge drawers type	
Fresco/LowTemp Drawers	
Bottom drawers	
Full Extension shelves 90° door opening	YES
Full Extension drawers 90° door opening	NO
Defrost Process	AUTOMATIC
Ice maker with water filter	NO
Door Open Alarms	YES
Humidity control	YES
Active carbon filter	YES
Air filter control	YES
Shopping Fridge	NO
Shopping Freezer	NO
Power Failure Function	YES

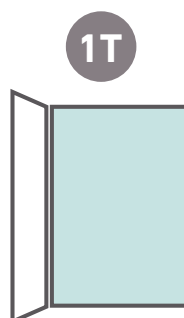
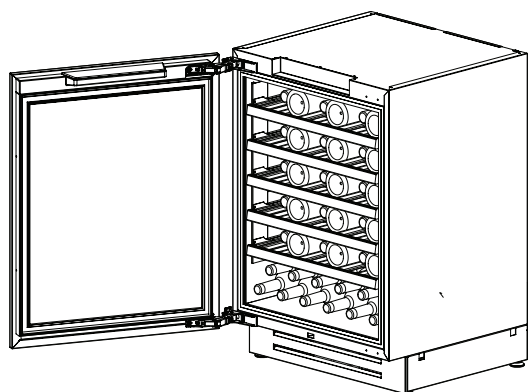
UCW601TGM

60 cm, UNDERCOUNTER WINE CELLAR - GRAN MAESTRO IN-DOOR, Model

BUILT-IN

UNDERCOUNTER® SERIE

Fhiaba



1D | 1M

D = door

M = separate microclimates

CAPACITY

Volume Compartment 1 (L)	
Volume Compartment 2 (L)	
Volume Compartment 3 (L)	
Total Net Volume (L)	
Total Gross Volume (L)	
Compartment 1 / Upper wine cellar capacity (bottles)	41
Compartment 2 / Lower wine cellar capacity (bottles)	
Undercounter glass shelf capacity (cans)	
Undercounter drawer capacity (cans)	
Undercounter bottom wooden bottle holder (bottles)	11

EFFICIENCY

New Energy Label class	
Energy consumption (kWh/year)	

DIMENSIONS & WEIGHT

Height of the product (closed weels) (mm)	865
Adjustable feet height (mm)	25
Width of the product (mm)	598
Depth of Product without handle (mm)	572
Wall cavity height (mm)	870
Wall cavity width (mm)	600
Wall cavity depth (mm)	600
Net Weight (kg)	55
Gross Weight (kg)	70

TECHNICAL DETAILS

Absorbed power (W)	
Total absorbed current (A)	1.5
Voltage (V)	220-240V
Frequency (Hz)	50-60 Hz
Power Cord Length (mm)	2
Plug Type	Schuko 16A
Climatic class	SN/T
Noise level (dB)	
Refrigerant (gas)	R600a
Water connection / female attachment	

TEMPERATURE RANGES

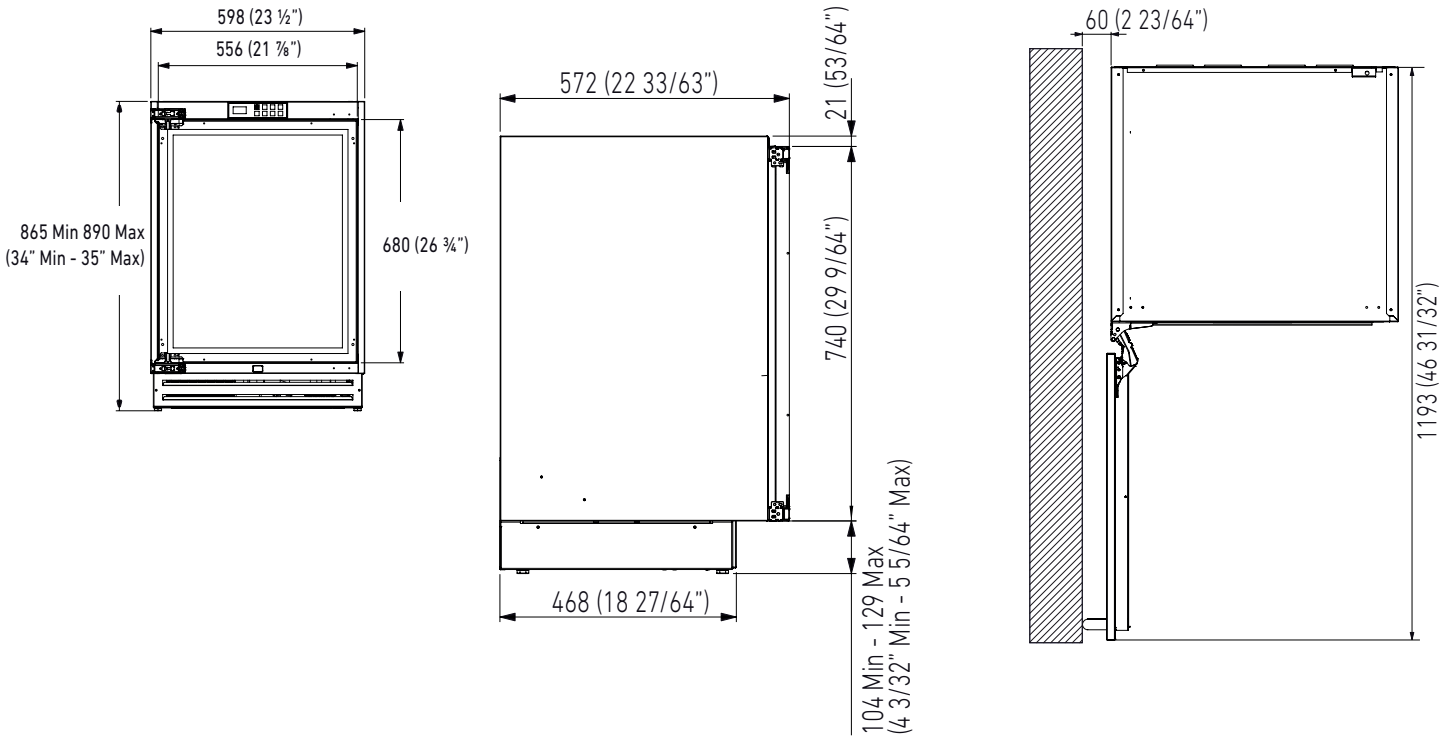
Climatic compartments	1
Compartment 1 / Upper temperature (°C)	from 4 to 18
Compartment 2 / Middle temperature (°C)	
Low temp zone	NO
Compartment 3 / Low temperature (°C)	
Dual zone	NO

UCW601TGM

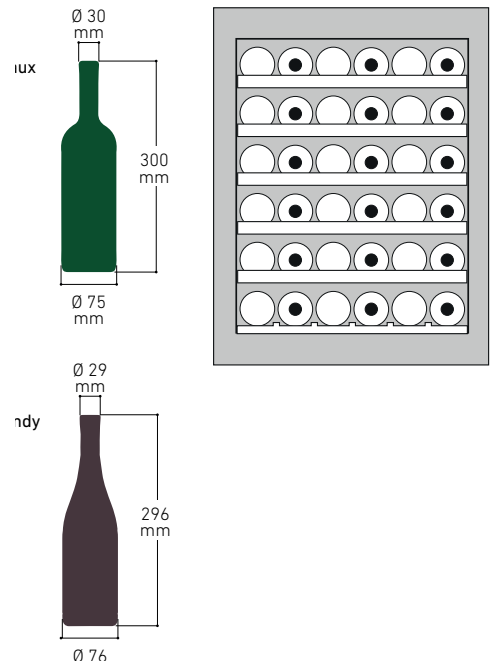
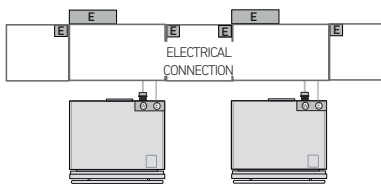
60 cm, UNDERCOUNTER WINE CELLAR - GRAN MAESTRO IN-DOOR, Model

BUILT-IN

UNDERCOUNTER® SERIE



Electrical and Water connection



i For installation specifications, please consult with Fhiaba. For optimum installation, we recommend using the actual product as the best guide.

i Based on the adjustment of the feet and the height of the panel from the floor, the customer defines the perforated plinth to be installed on the equipment.

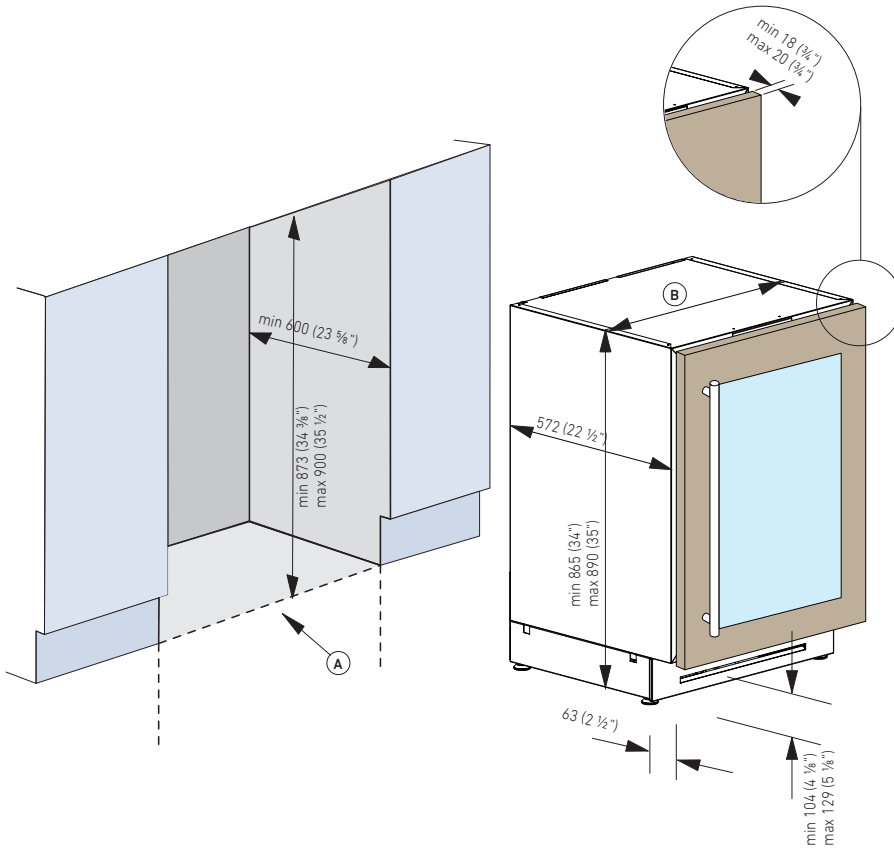
UCW601TGM

60 cm, UNDERCOUNTER WINE CELLAR - GRAN MAESTRO IN-DOOR, Model

BUILT-IN

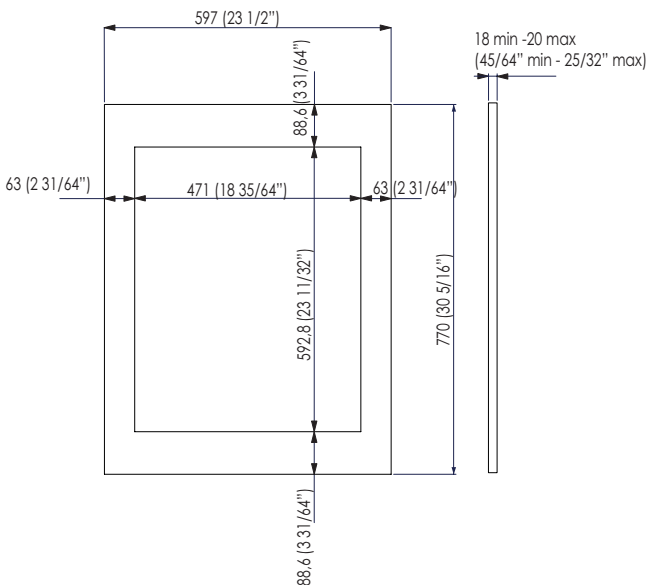
UNDERCOUNTER® SERIE

Fhiaba



TECHNICAL DATA	
Niche Width A (mm)	600
Unit Width B (mm)	598

Panel Dimensions



i Integrated Panel Recommendations

Panels with thickness ranging between 18 mm and 20 mm.
Panels with weight max of 10 kg. Provide installation of decorative panels during installation of the unit.

UCW601TGM

60 cm, UNDERCOUNTER WINE CELLAR - GRAN MAESTRO IN-DOOR, Model


BUILT-IN

UNDERCOUNTER® SERIE

Fhiaba

ACCESSORIES

- Stainless steel sides panels
- Glass door
- Stainless steel tubular handles 30mm
- Stainless steel tubular handles 18mm
- Stainless steel panels
- Extra length anti-tipping kit
- Cleaning kit
- Active carbon filter
- FLD - Fhiaba Link Device
- 90° Door stop
- Wine kit
- Cheese drawer
- Set of knives
- Prosciutteria kit
- Bottle trap
- Sigar drawer
- Beverage drawer
- Beverage shelf
- Beverage removable shelf

 For installation specifications, please consult with Fhiaba. For optimum installation, we recommend using the actual product as the best guide.

   
www.fhiaba.com