

UC2D75P

75 cm, TRIMODE - PREMIUM INDOOR, Model

BUILT-IN

UNDERCOUNTER® SERIE

Fhiaba



FEATURES

- Made in Italy.
- Aisi 304 stainless steel body.
- Stainless steel interior finish
- Antibacterial stainless steel interior.
- Optiview: multi - LED light array (top and side interior) provides brilliant illumination to the entire interior.
- Soft close door and drawers in all compartments
- Smart OLED display
- Acoustic and visual signals
- Total no frost 100% automatic system
- Insulated variable speed compressors maintains precision temperature control with low vibration.
- Sabbath mode
- Front and rear adjustable feet up to 25 mm.
- Trimode system: Fhiaba patented Trimode drawers can be set to 3 different microclimates: freezer, fresco or fridge.
- Available size: 24", 30", 36".
- Chill to serve: you can rapidly lower the temperature to 2°C before serving.
- Fully integrated / custom panel ready
- Fully extractable drawers with soft closing guides
- Aisi 304 stainless steel interior
- Low vibration compressor
- Full range of models and configurations. Can easily be combined and configured with other Fhiaba fridge, freezer, wine cellar models to fit your kitchen needs.

GENERAL PROPERTIES

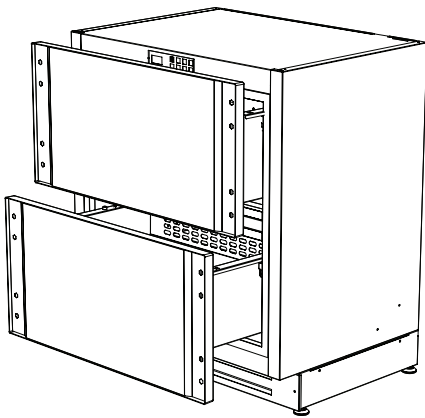
| | |
|---|-----------|
| Reversible door | NO |
| Equilance | NO |
| SoftClosing Runner | YES |
| Low vibration | YES |
| Optiview (LED light spots) | YES |
| Shelves | |
| Slide-out shelves | |
| Type of shelves | |
| Door Bins | |
| Fridge drawers type | |
| Fresco/LowTemp Drawers | |
| Bottom drawers | 2 |
| Full Extension shelves 90° door opening | NO |
| Full Extension drawers 90° door opening | YES |
| Defrost Process | AUTOMATIC |
| Ice maker with water filter | NO |
| Door Open Alarms | YES |
| Humidity control | NO |
| Active carbon filter | NO |
| Air filter control | NO |
| Shopping Fridge | NO |
| Shopping Freezer | YES |
| Power Failure Function | YES |
| | |

UC2D75P

75 cm, TRIMODE - PREMIUM INDOOR, Model
BUILT-IN

UNDERCOUNTER® SERIE

PRODUCT DETAIL



Fhiaba

2D



2BD | 1M

BD = drawer

M = separate microclimates

CAPACITY

| | |
|--|--|
| Volume Compartment 1 (L) | |
| Volume Compartment 2 (L) | |
| Volume Compartment 3 (L) | |
| Total Net Volume (L) | |
| Total Gross Volume (L) | |
| Compartment 1 / Upper wine cellar capacity (bottles) | |
| Compartment 2 / Lower wine cellar capacity (bottles) | |
| Undercounter glass shelf capacity (cans) | |
| Undercounter drawer capacity (cans) | |
| Undercounter bottom wooden bottle holder (bottles) | |

EFFICIENCY

| | |
|-------------------------------|--|
| New Energy Label class | |
| Energy consumption (kWh/year) | |

DIMENSIONS & WEIGHT

| | |
|---|-----|
| Height of the product (closed weels) (mm) | 865 |
| Adjustable feet height (mm) | 25 |
| Width of the product (mm) | 748 |
| Depth of Product without handle (mm) | 572 |
| Wall cavity height (mm) | 870 |
| Wall cavity width (mm) | 750 |
| Wall cavity depth (mm) | 600 |
| Net Weight (kg) | 69 |
| Gross Weight (kg) | 84 |

TECHNICAL DETAILS

| | |
|--------------------------------------|------------|
| Absorbed power (W) | |
| Total absorbed current (A) | 2 |
| Voltage (V) | 220-240V |
| Frequency (Hz) | 50-60 Hz |
| Power Cord Length (mm) | 2 |
| Plug Type | Schuko 16A |
| Climatic class | SN/T |
| Noise level (dB) | |
| Refrigerant (gas) | R600a |
| Water connection / female attachment | |
| | |
| | |
| | |

TEMPERATURE RANGES

| | |
|---|---------------|
| Climatic compartments | 1 |
| Compartment 1 / Upper temperature (°C) | |
| Compartment 2 / Middle temperature (°C) | |
| Low temp zone | NO |
| Compartment 3 / Low temperature (°C) | from 8 to -22 |
| Dual zone | NO |

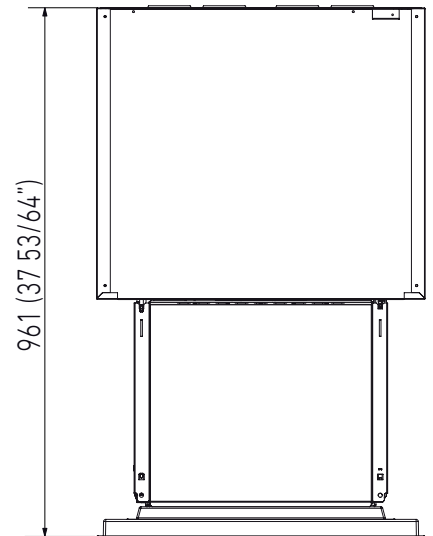
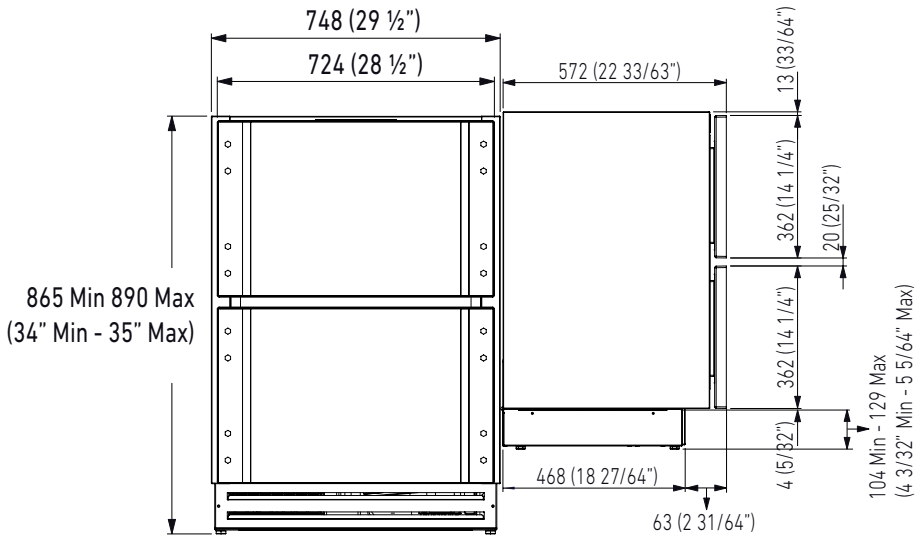
UC2D75P

75 cm, TRIMODE - PREMIUM INDOOR, Model
BUILT-IN

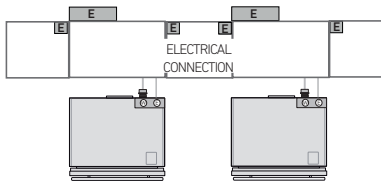
UNDERCOUNTER® SERIE

PRODUCT SPECIFICATIONS AND DIMENSIONS

Fhiaba



Electrical and Water connection



i For installation specifications, please consult with Fhiaba.
For optimum installation, we recommend using the actual product as the best guide.

i Based on the adjustment of the feet and the height of the panel from the floor, the customer defines the perforated plinth to be installed on the equipment.

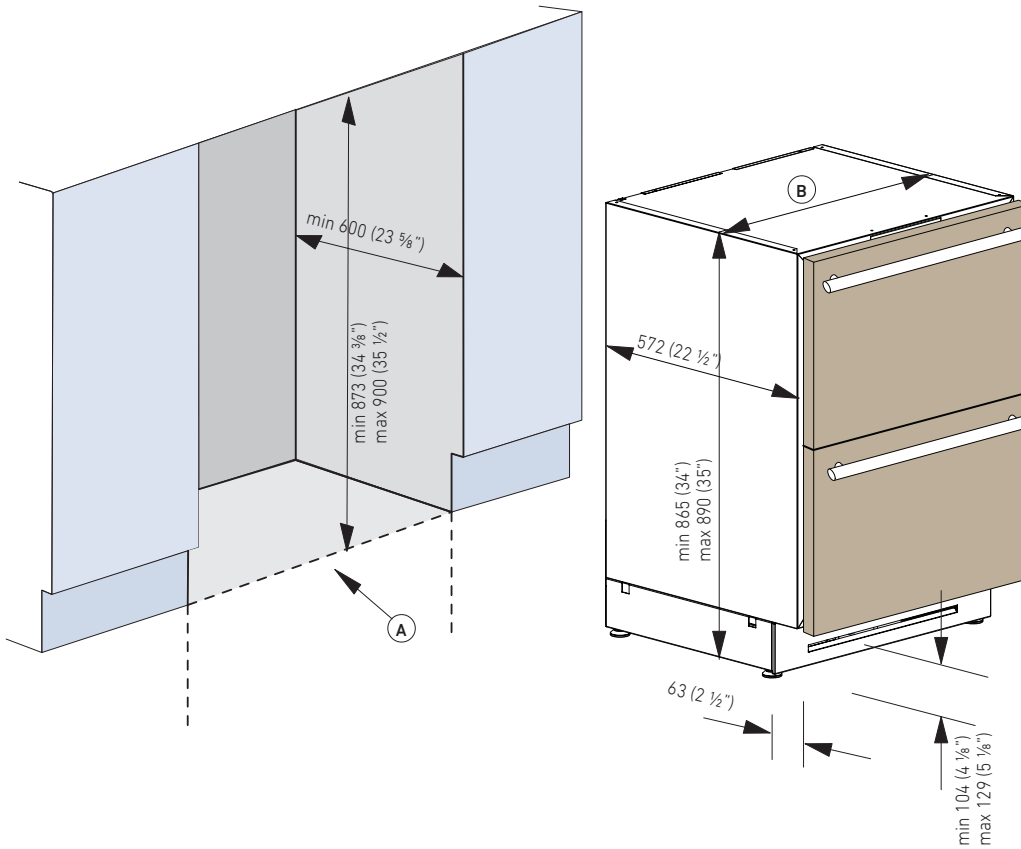
UC2D75P

75 cm, TRIMODE - PREMIUM INDOOR, Model BUILT-IN

UNDERCOUNTER® SERIE

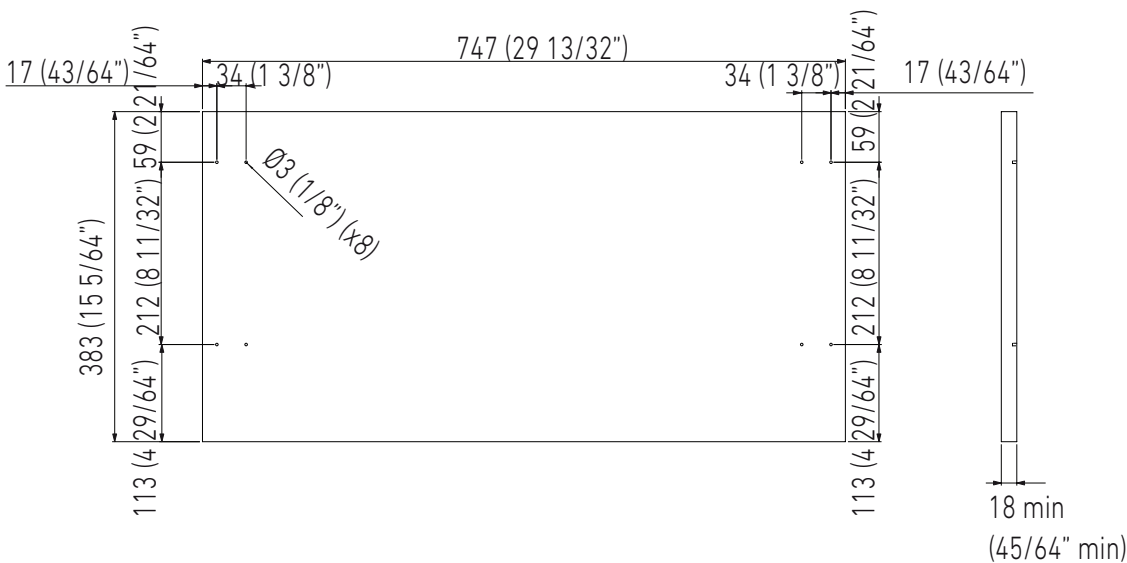
NICHE SPECIFICATIONS AND DIMENSIONS

Fhiaba



| TECHNICAL DATA | |
|---------------------------|-----|
| Niche Width A (mm) | 750 |
| Unit Width B (mm) | 748 |

Panel Dimensions



Integrated Panel Recommendations

Panels with thickness ranging between 18 mm and mm.
Panels with weight max of 10 kg. Provide installation of decorative panels during installation of the unit.

UC2D75P

75 cm, TRIMODE - PREMIUM INDOOR, Model

BUILT-IN


UNDERCOUNTER® SERIE

INSTALLATION INFORMATION

Fhiaba

ACCESSORIES

- Stainless steel tubular handles 30mm
- Stainless steel tubular handles 18mm
- Stainless steel panels
- Extra length anti-tipping kit
- Cleaning kit
- 90° Door stop

 For installation specifications, please consult with Fhiaba.
For optimum installation, we recommend using the actual product as the best guide.

   
www.fhiaba.com