

# XS4490FW6

45 cm, WINE CELLAR, OFW Model

BUILT-IN

X-PRO® SERIE

*Fhiaba*



## FEATURES

- Made in Italy.
- Aisi 304 stainless steel body.
- Stainless steel interior finish
- Antibacterial stainless steel interior.
- Provent ventilation system encourages uniform distribution of cold air in all fridge compartments by laterally circulation air.
- Equilance: dual - movemenet patented hinge with self - balancing movement ensures stability and resistance.
- Optiview: multi - LED light array (top and side interior) provides brilliant illumination to the entire interior.
- Smart touch TFT display
- Acoustic and visual signals
- Total no frost 100% automatic system
- Insulated variavle speed compressors manteins precision temperature control with low vibration.
- Sabbath mode
- Front and rear adjustable feet up to 25 mm.
- Two indipendent climatic zone.
- Deep capacity within a standard depth is achieved by a side - mounted evaporators, wich leaves grater interior space.
- Full range of models and configurations ( 18", 24", 30" and 36"). Can easily be combined and configured with other Fhiaba fridge, freezer, wine cellar models to fit your kitchen needs.
- Triple-pane, bronzed glass door guarantees maximun protection from harmful UV light rays.
- Soft - close mechanisms on every oak wine rack.
- Humidity control
- Ambra light LED: not interact at the molecular level with the wine and not contains ultraviolet rays.

## GENERAL PROPERTIES

|   |           |
|---|-----------|
| Reversible door                         | NO        |
| Equilance                               | YES       |
| SoftClosing Runner                      | YES       |
| Low vibration                           | YES       |
| Optiview (LED light spots)              | YES       |
| Shelves                                 | 13        |
| Slide-out shelves                       | YES       |
| Type of shelves                         | WOOD      |
| Door Bins                               |           |
| Fridge drawers type                     |           |
| Fresco/LowTemp Drawers                  |           |
| Bottom drawers                          |           |
| Full Extension shelves 90° door opening | YES       |
| Full Extension drawers 90° door opening | NO        |
| Defrost Process                         | AUTOMATIC |
| Ice maker with water filter             | NO        |
| Door Open Alarms                        | YES       |
| Humidity control                        | YES       |
| Active carbon filter                    | YES       |
| Air filter control                      | NO        |
| Shopping Fridge                         | NO        |
| Shopping Freezer                        | NO        |
| Power Failure Function                  | YES       |

# XS4490FW6

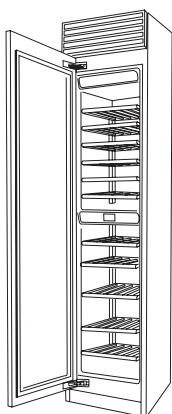
45 cm, WINE CELLAR, OFW Model

BUILT-IN

X-PRO® SERIE

## PRODUCT DETAIL

# Fhiaba



1D | 2M

wine cellar

D = door

M = separate microclimates

### CAPACITY

|   |     |
|---|-----|
| Volume Compartment 1 (L)                              | 229 |
| Volume Compartment 2 (L)                              |     |
| Volume Compartment 3 (L)                              |     |
| Total Net Volume (L)                                  | 229 |
| Total Gross Volume (L)                                | 239 |
| Compartment 1 / Upper wine cellar capacity (bottles)  | 32  |
| Compartment 2 / Lower wine cellar capacity (bottles)  | 20  |
| Compartment 3 / Bottom wine cellar capacity (bottles) |     |

### TECHNICAL DETAILS

|                                      |            |
|--------------------------------------|------------|
| Absorbed power (W)                   |            |
| Total absorbed current (A)           | 0.7        |
| Voltage (V)                          | 220-240V   |
| Frequency (Hz)                       | 50-60 Hz   |
| Power Cord Length (mm)               | 2          |
| Plug Type                            | Schuko 16A |
| Climatic class                       | SN/T       |
| Noise level (dB)                     | 41         |
| Refrigerant (gas)                    | R600a      |
| Water connection / female attachment |            |
|                                      |            |
|                                      |            |

### EFFICIENCY

|                               |     |
|-------------------------------|-----|
| New Energy Label class        | G   |
| Energy consumption (kWh/year) | 169 |

### DIMENSIONS & WEIGHT

|   |      |
|---|------|
| Height of the product (closed weels) (mm) | 2120 |
| Adjustable feet height (mm)               | 25   |
| Width of the product (mm)                 | 449  |
| Depth of Product without handle (mm)      | 640  |
| Wall cavity height (mm)                   | 2134 |
| Wall cavity width (mm)                    | 450  |
| Wall cavity depth (mm)                    | 650  |
| Net Weight (kg)                           | 141  |
| Gross Weight (kg)                         | 161  |

### TEMPERATURE RANGES

|   |              |
|---|--------------|
| Climatic compartments                   | 1            |
| Compartment 1 / Upper temperature (°C)  | from 4 to 18 |
| Compartment 2 / Middle temperature (°C) | from 4 to 18 |
| Low temp zone                           | NO           |
| Compartment 3 / Low temperature (°C)    |              |
| Dual zone                               | NO           |

# XS4490FW6

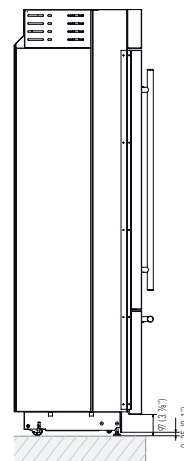
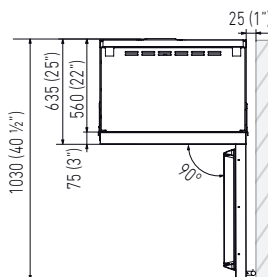
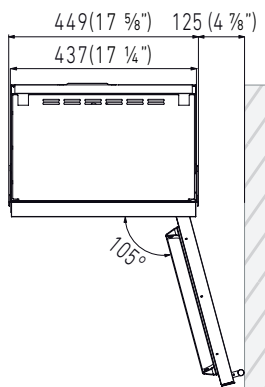
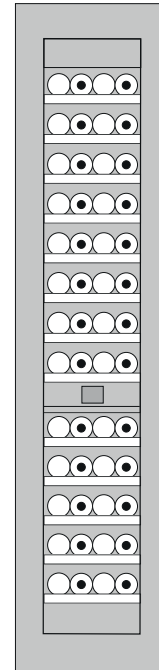
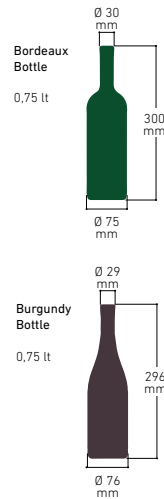
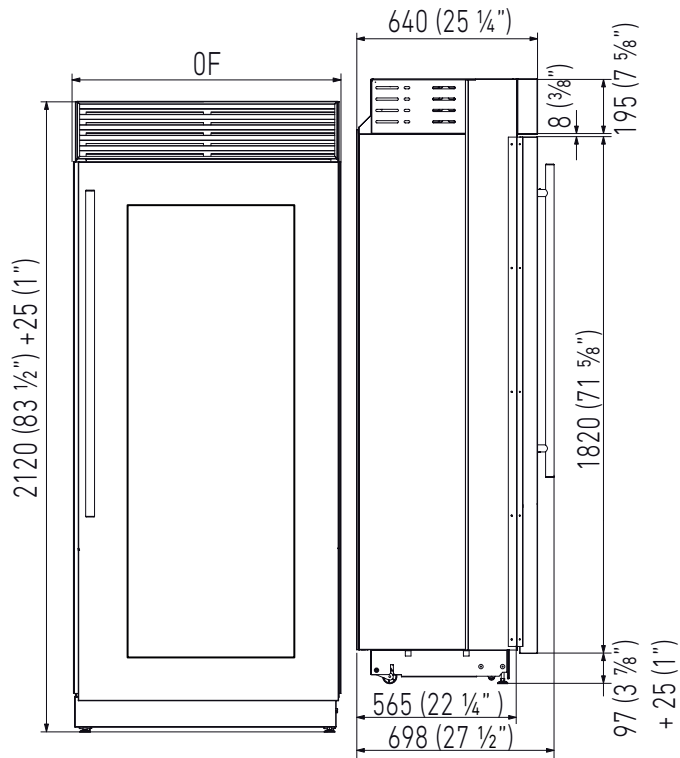
45 cm, WINE CELLAR, OFW Model

BUILT-IN

X-PRO® SERIE

## PRODUCT SPECIFICATIONS AND DIMENSIONS

*Fhiaba*



**i** For installation specifications, please consult with Fhiaba. For optimum installation, we recommend using the actual product as the best guide.

**i** Based on the adjustment of the feet and the height of the panel from the floor, the customer defines the perforated plinth to be installed on the equipment.

# XS4490FW6

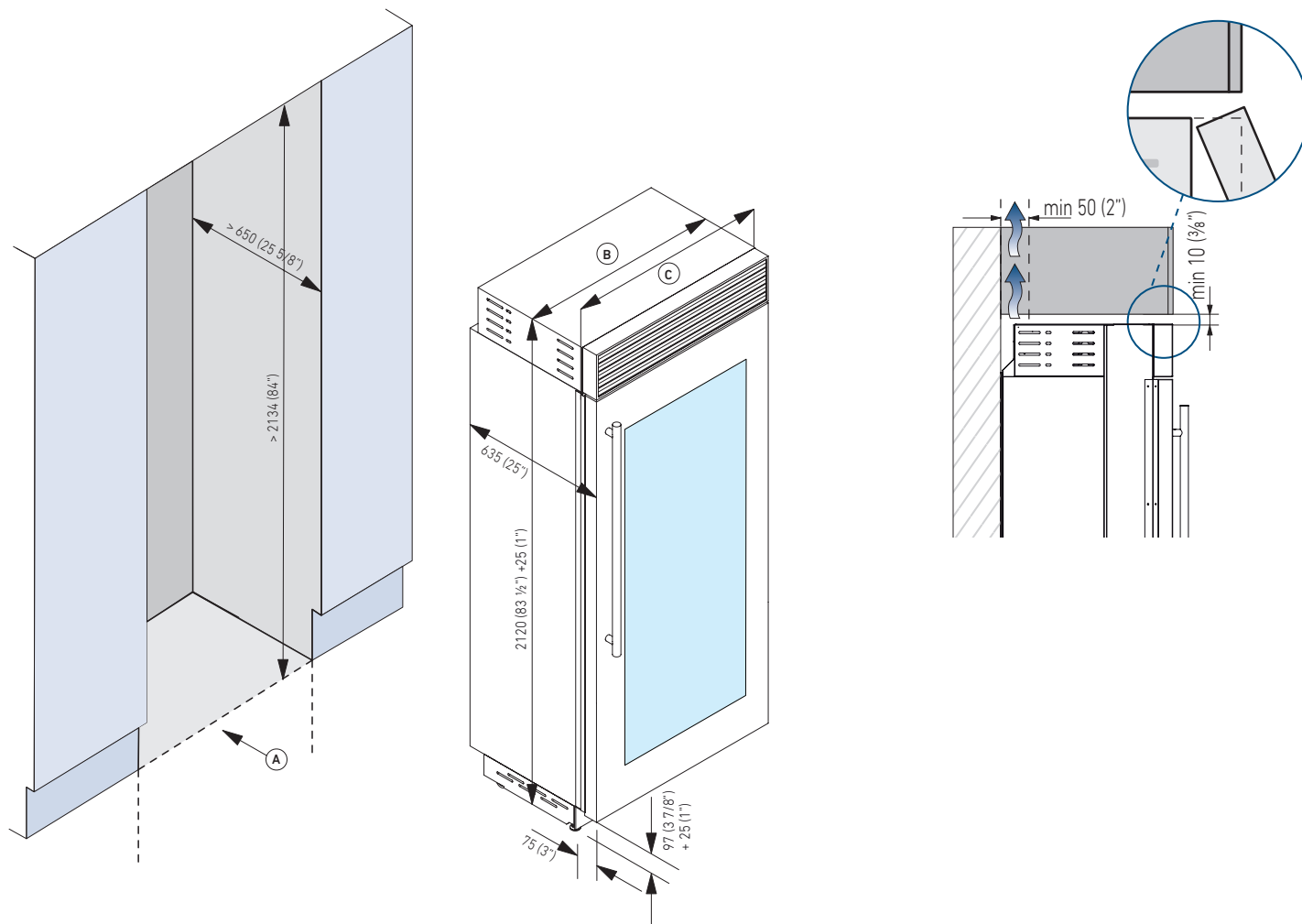
45 cm, WINE CELLAR, OFW Model

BUILT-IN

X-PRO® SERIE

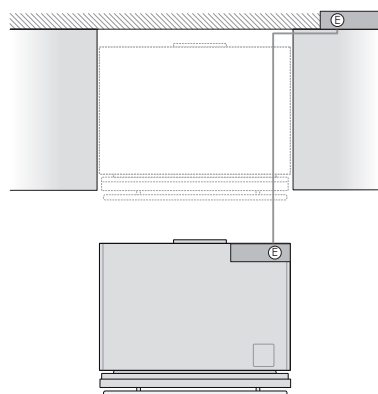
## NICHE SPECIFICATIONS AND DIMENSIONS

*Fhiaba*

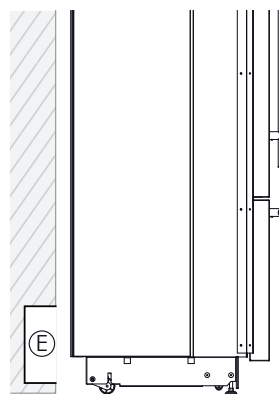


| TECHNICAL DATA                               |     |
|--|-----|
| Niche Width <b>A</b> (mm)                    | 450 |
| Unit Width <b>B</b> (mm)                     | 437 |
| Unit Width with lateral frames <b>C</b> (mm) | 449 |

### Electrical and Water connection



### Electrical and Water connection behind the unit



# XS4490FW6

45 cm, WINE CELLAR, OFW Model

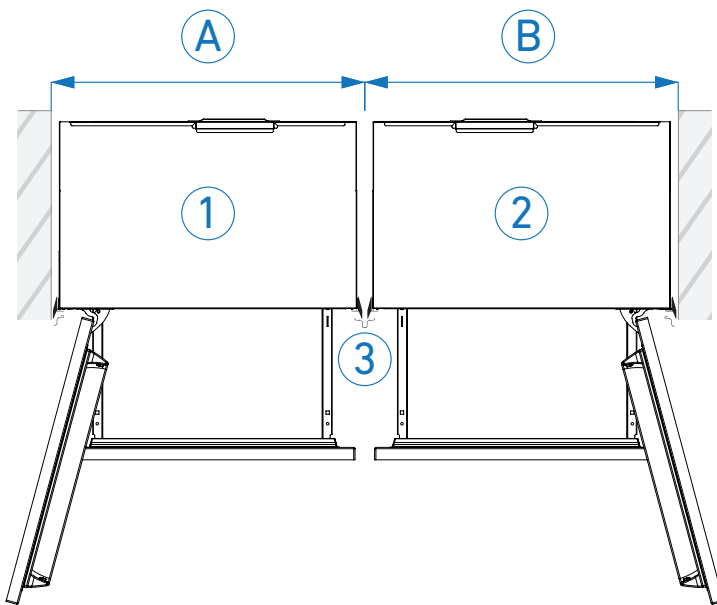
BUILT-IN

X-PRO® SERIE

## INSTALLATION INFORMATION

*Fhiaba*


### Side by side installation



- 1 - Device 1
- 2 - Device 2
- 3 - Joining kit
- A - Niche device 1
- B - Niche device 2

### ACCESSORIES

- Stainless steel sides panels
- Glass door
- Joining kit
- X-Pro top grille kit
- Stainless steel tubular handless 30mm
- Extra length anti-tipping kit
- Anticondensation kit
- Cleaning kit
- Active carbon filter
- FLD - Fhiaba Link Device
- Painting
- 90° Door stop
- Wine kit
- Cheese drawer
- Set of knives
- Prosciutteria kit
- Bottle trap
- Sigar drawer
- Beverage drawer
- Beverage shelf
- Beverage removable shelf

 For installation specifications, please consult with Fhiaba. For optimum installation, we recommend using the actual product as the best guide.

     
[www.fhiaba.com](http://www.fhiaba.com)